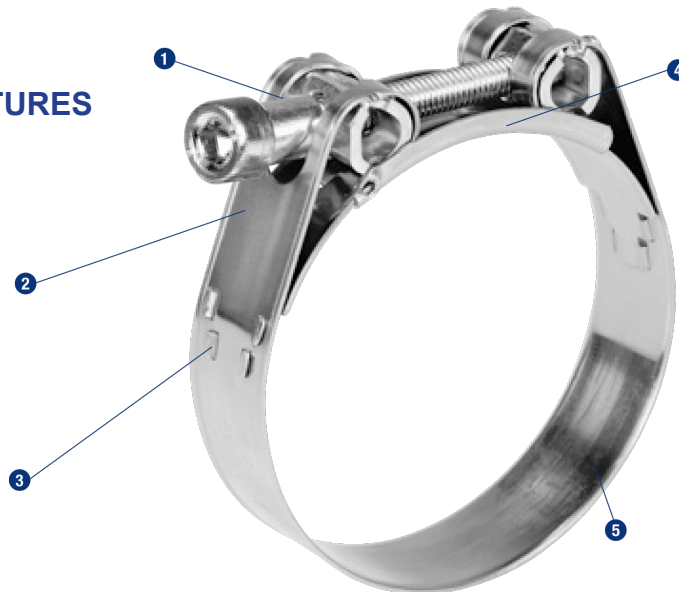


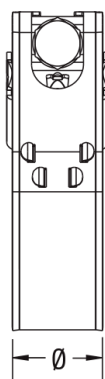
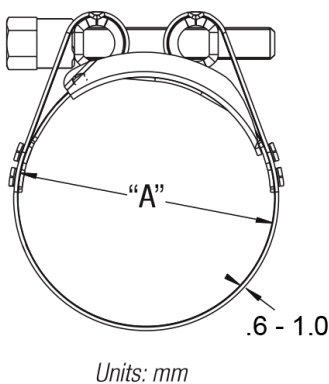
Heavy-Duty 316 Stainless Steel GBS Clamp

Heavy Duty low profile bolt clamps. Particularly suited for sealing exhaust, pressure or suction lines with plastic or steel inserts and high shore hardness values. Their distinguishing feature is the extremely high band tensile force. Assembly is easily completed by means of either manual, pneumatic or electric standard tools.

TECHNICAL FEATURES



1. New specially designed 6mm hexagonal socket screw with integrated spacer = improved efficiency.
2. Reinforced loops = allow to withstand significantly higher torques.
3. Mechanically locked closure = no welding points, no contact corrosion.
4. Bridge = optimal hose protection.
5. Robust band with rounded edges = protection against injuries and damage to the hose surface.



- Band, Screw & Housing: High Grade Stainless Steel throughout (1.4401/AISI 316)
- Hollow Trunnions
- Diameter Range: 1 1/16" - 12" (17mm - 304mm)
- Available in 3 Band Widths: 18mm - thickness 0.6mm, 25mm - thickness 1.0mm, 30mm - thickness 1.0mm
- Recommended tightening torque: 18mm band = 8 Nm, 25mm band = 20 Nm, 30mm band = 25 Nm
- Fracture torque: 18mm band = 15 Nm, 25mm band = 30 Nm, 30mm band = 45 Nm.





Part #	Box of 10	Clamping Range		Band Width	
		Inches	mm	Inches	mm
67000	67100	11/16 - 3/4	17 - 19	11/16	18
67001	67101	3/4 - 13/16	19 - 21		
67002	67102	13/16 - 7/8	21 - 23		
67003	67103	7/8 - 1	23 - 25		
67004	67104	1 - 1 1/16	25 - 27		
67005	67105	1 1/16 - 1 1/8	27 - 29		
67006	67106	1 1/8 - 1 1/4	29 - 31		
67007	67107	1 1/4 - 1 5/16	31 - 34		
67008	67108	1 5/16 - 1 7/16	34 - 37		
67009	67109	1 7/16 - 1 9/16	37 - 40		
67010	67110	1 9/16 - 1 11/16	40 - 43		
67011	67111	1 11/16 - 1 7/8	43 - 47		
67012	67112	1 7/8 - 2	47 - 51		
67013	67113	2 - 2 3/16	51 - 55		
67014	67114	2 3/16 - 2 5/16	55 - 59		
67015	67115	2 5/16 - 2 1/2	59 - 63		
67016	67116	2 1/2 - 2 11/16	63 - 68		
67017	67117	2 11/16 - 2 7/8	68 - 73	1	25
67018	67118	2 7/8 - 3 1/8	73 - 79		
67019	67119	3 1/8 - 3 3/8	79 - 85		
67020	67120	3 3/8 - 3 9/16	85 - 91		
67021	67121	3 9/16 - 3 13/16	91 - 97		
67022	67122	3 13/16 - 4 1/8	97 - 104		
67023	67123	4 1/8 - 4 7/16	104 - 112		
67024	67124	4 7/16 - 4 3/4	112 - 121		
67025	67125	4 3/4 - 5 1/8	121 - 130		
67026	67126	5 1/8 - 5 1/2	130 - 140		
67027	67127	5 1/2 - 5 7/8	140 - 150		
67038	67138	5 7/8 - 6 3/8	150 - 162	1 3/16	30
67028	67128	6 3/8 - 6 7/8	162 - 174		
67029	67129	6 7/8 - 7 3/8	174 - 187		
67030	67130	7 3/8 - 7 7/8	187 - 200		
67031	67131	7 7/8 - 8 3/8	200 - 213		
67032	67132	8 3/8 - 8 7/8	213 - 226		
67033	67133	8 7/8 - 9 3/8	226 - 239		
67034	67134	9 3/8 - 9 15/16	239 - 252		
67035	67135	9 15/16 - 10 7/16	252 - 265		
67036	67136	10 7/16 - 11	265 - 278		
67037	67137	11 1/2 - 12	291 - 304		